

TYPICAL HORIZONTAL SECTIONS

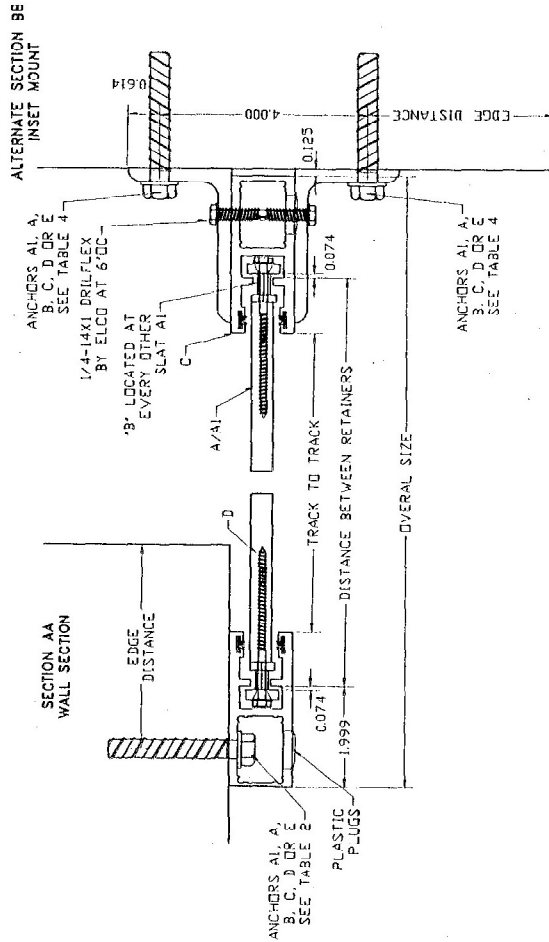
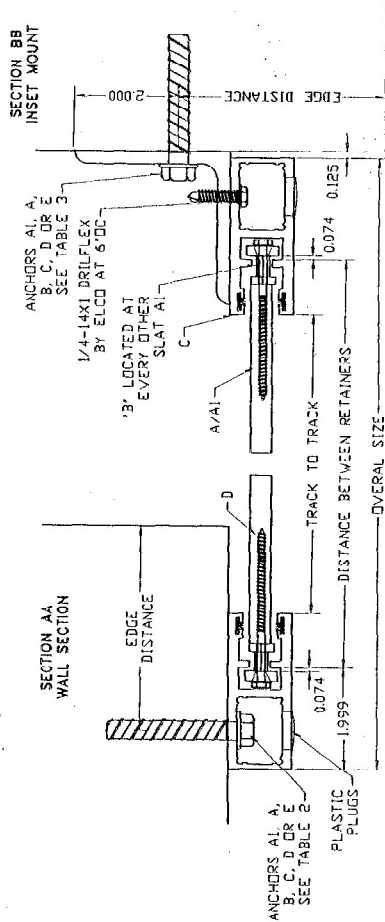


TABLE 2 SECTION AA ANCHOR SPACING

Pd	TYPE OF ANCHORS				
	A1	A	B	C	E
20.8	5.00	5.00	5.00	5.00	5.00
30.0	5.00	5.00	5.00	5.00	5.00
35.0	5.00	5.00	5.00	5.00	5.00
41.6	5.00	5.00	5.00	5.00	5.00
55.0	5.00	5.00	5.00	5.00	5.00
62.4	5.00	5.00	5.00	5.00	5.00
81.0	4.00	4.00	4.00	4.00	4.00
83.2	3.75	4.00	4.00	4.00	4.00

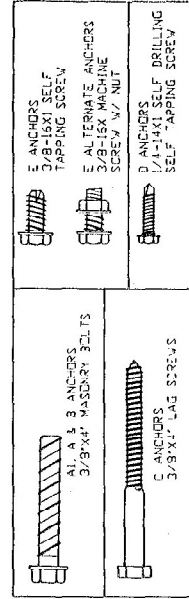
TABLE 3 SECTION BB ANCHOR SPACING

Pd	TYPE OF ANCHORS				
	A1	A	B	C	E
20.8	5.00	5.00	5.00	5.00	5.00
30.0	5.00	5.00	5.00	5.00	5.00
35.0	5.00	5.00	5.00	5.00	5.00
41.6	4.00	5.00	5.00	5.00	5.00
55.0	5.00	5.00	5.00	5.00	5.00
62.4	5.00	5.00	5.00	5.00	5.00
81.0	4.00	4.00	4.00	4.00	4.00
83.2	3.75	4.00	4.00	4.00	4.00

TABLE 4 ALTERNATE SECTION BB ANCHOR SPACING

Pd	TYPE OF ANCHORS				
	A1	A	B	C	E
20.8	5.00	5.00	5.00	5.00	5.00
30.0	5.00	5.00	5.00	5.00	5.00
35.0	5.00	5.00	5.00	5.00	5.00
41.6	5.00	5.00	5.00	5.00	5.00
55.0	5.00	5.00	5.00	5.00	5.00
62.4	5.00	5.00	5.00	5.00	5.00
81.0	5.00	5.00	5.00	5.00	5.00
83.2	5.00	5.00	5.00	5.00	5.00

ANCHOR	DESCRIPTION	MATERIAL	EMBEDMENT	EDGE DISTANCE
A1	3/8" X 4" CONFLX BELTS	MIN. 3002 PSI CONCRETE	3 1/2"	3 3/4"
A	3/8" X 4" WEDGE BELTS	MIN. 5000 PSI CONCRETE	3 1/2"	3 3/4"
B	3/8" X 4" WEDGE BELTS	DRILL FILL-EB C-90 BLOCK	3 1/2"	3 3/4"
C	3/8" X 4" LAG SCREWS	4000 (305) SS	3"	1 1/2"
D	3/4" X 1" DRILL-FLEX ANCH	403 1/4" 5005-T5 ALUM.	1 1/2"	3/8"
E	3/8" X 1 1/2" DRILL-FLEX ANCH	403 1/4" 5005-T5 ALUM.	1 1/2"	3/8"
	8015 & NUT (F04-35 163)	A35 3/16" STEEL		9/16"



Manufacturer:
Florida Blinds & Shutters, Inc
 1271 LAQUINTA DRIVE, SUITE #5
 ORLANDO, FL 32809-9999
 Tel.: (407) 850-9999
 Fax.: (407) 856-0977

Product:
ADVANCED ROLL SYSTEM ROLLING SHUTTER

Engineering:
EngCo Inc.
 CA 8 16
 6971 W. Sunrise Blvd. 104
 Plantation, FL 33313
 Tel.: (954) 585-0304
 Fax.: (954) 585-0305

[Handwritten signature]

AUG 0 4 2006
 Engineer: Saad
 Pedro Da Figueiredo
 PE 52609

DRAFTING:
PK DRAFTING & MORE

Date: 08/04/06
 Scale: NA
 Design by: PPMF

Drawing Number
06-231

Sheet
2 of 4